

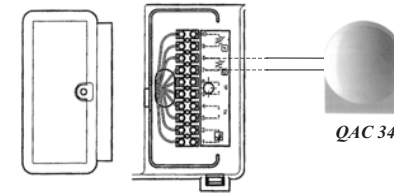
ELECTRICAL CONNECTIONS OF RVA47 CASCADE

REMOVE LOOP WIRE ON TERMINALS 3 & 4
WIRE IN BOILER CIRCULATOR PUMP TO TERMINALS 11 & 12

OPTIONAL

Outside sensor installation
(Also refer to gas boiler's instructions)

Outside sensor: connect directly to boiler Terminals 7 and 8



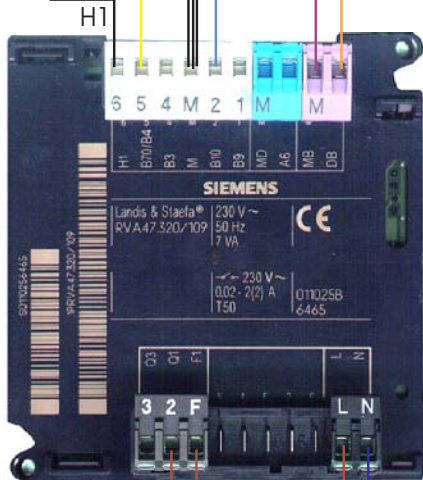
OPTIONAL
QAD21
CASCADE RETURN
TEMPERATURE SENSOR

QAD21
CASCADE FLOW
TEMPERATURE SENSOR



Interconnecting cascade wiring from RVA47 to HT boilers must be in a parallel configuration using screened cables (The screening must be earthed)

THERMOSTAT OR
BMS 0-10 VOLT



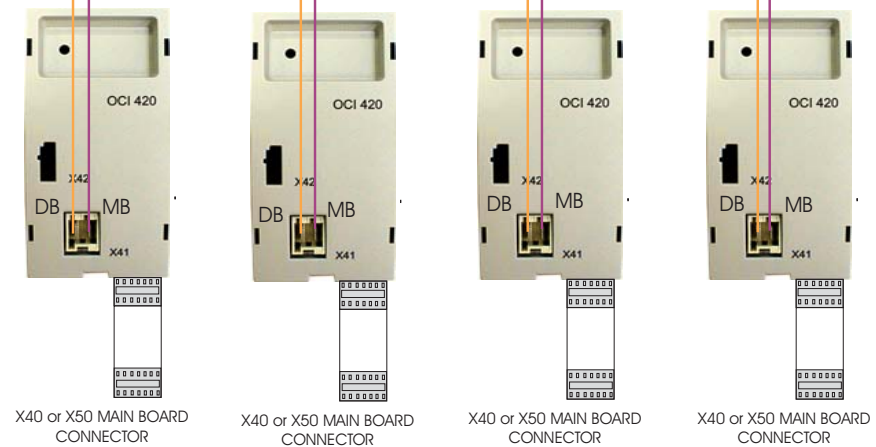
240 VOLT POWER SUPPLY

F, 2 and 3 can be used with
240V or 24V (from external 24V transformer) to trigger
pump relay or contactor

24V or 240V VIA RELAY/CONTACTOR



SYSTEM PUMP



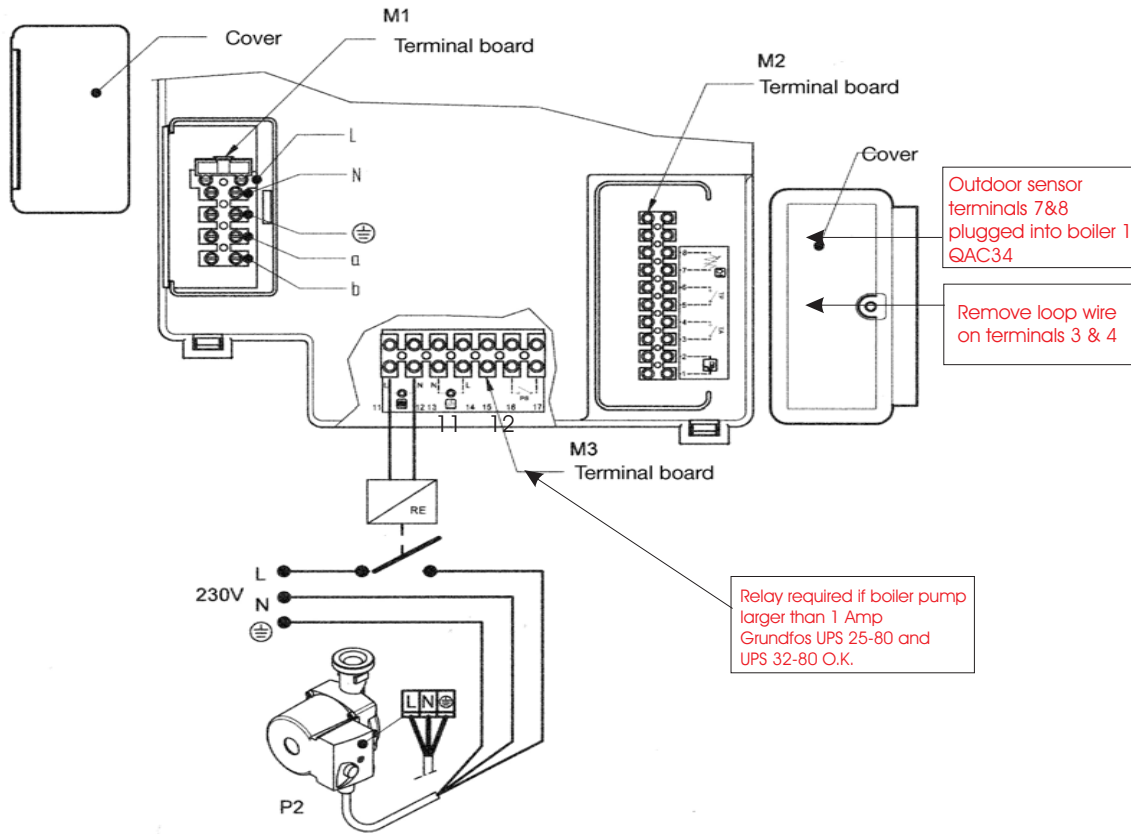
BAXI



HYDROHEAT SUPPLIES PTY LTD
P.O. BOX 1045 / 6 Helen Kob Drive
Braeside, Victoria, 3195
Ph 03 9588 1299 Fax 03 9588 2199
www.hydroheat.com.au

www.hydroheat.com.au

ELECTRICAL CONNECTIONS BOILER PRIMARY PUMP



Outdoor sensor terminals 7&8 plugged into boiler 1 QAC34

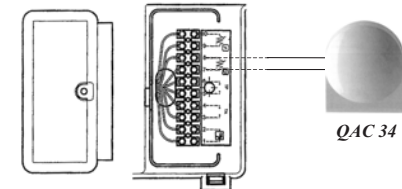
Remove loop wire on terminals 3 & 4

Relay required if boiler pump larger than 1 Amp Grundfos UPS 25-80 and UPS 32-80 O.K.

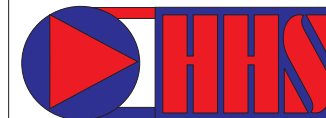
OPTIONAL

Outside sensor installation
(Also refer to gas boiler's instructions)

Outside sensor: connect directly to boiler Terminals 7 and 8



www.hydroheat.com.au



HYDROHEAT SUPPLIES PTY LTD
P.O. BOX 1045 / 6 Helen Kob Drive
Braeside, Victoria, 3195
Ph 03 9588 1299 Fax 03 9588 2199
www.hydroheat.com.au