

# HENRAD

## HENRAD RADIATORS

ALTO PLAN AND ALTO LINE, FLAT FINISH RADIATORS



**HYDROHEAT  
SUPPLIES PTY LTD**



**HENRAD**

The Radiator

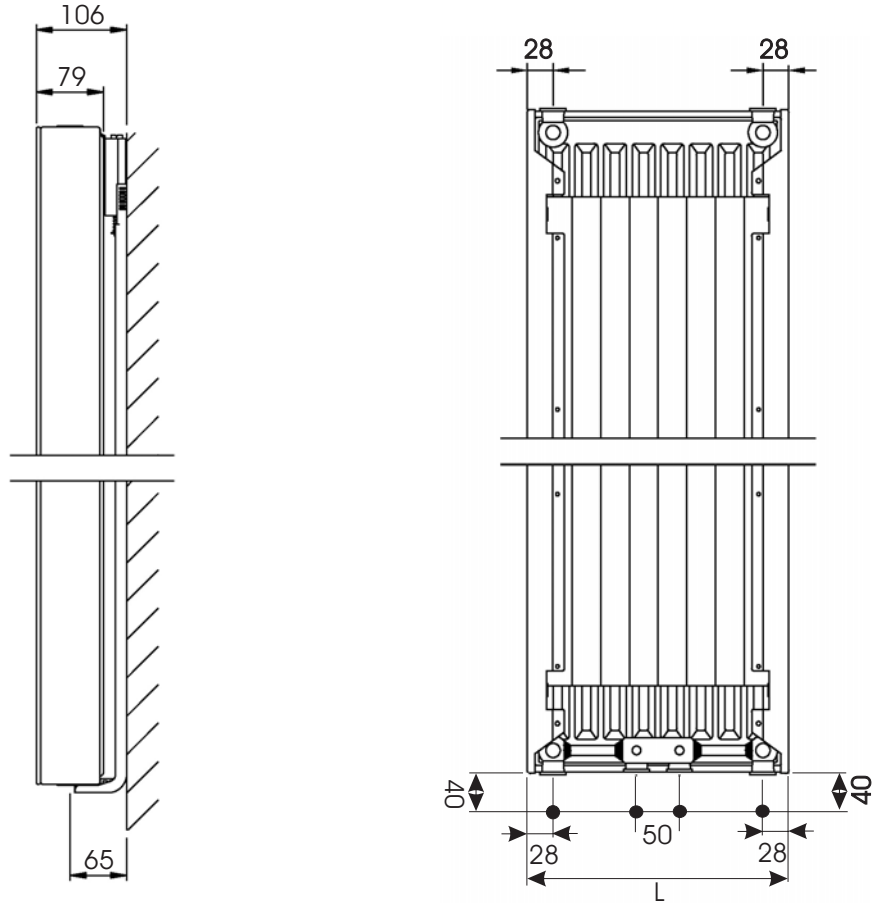
# TECHNICAL DATA ALTO PLAN/LINE RADIATORS

## Type 21 - HEAT OUTPUT (watts)

Height	1600	1800	2000	2200
Length (mm)	300	1069	1164	1244
	400	1426	1553	1658
	500	1782	1941	2073
	600	2138	2329	2487
	700	2495	2717	2902
Weight (kg/m)	85.80	96.00	106.20	116.40
Volume (lt/m)	14.10	15.90	17.70	20.10

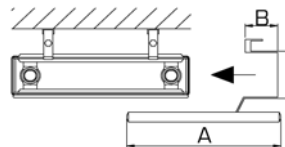
All HENRAD outputs are based on EN 442 Delta T, 60 deg. C.

### TYPE 21



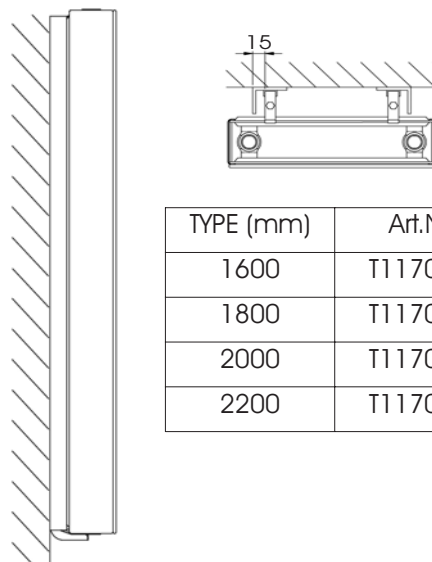
### ACCESSORIES

#### TOWEL HANGER



TYPE (mm)	A (mm)	Art.Nr	B (mm)
T21	300	T11601103	57
	400	T11602104	
	500	T11602105	

#### BRACKET COVERS



TYPE (mm)	Art.Nr
1600	T117016
1800	T117018
2000	T117020
2200	T117022

