

# HENRAD

## HENRAD RADIATORS

PRESSED PANEL & FLAT FINISH



**HYDROHEAT**  
SUPPLIES PTY LTD



**HENRAD**  
The Radiator

# TECHNICAL DATA COMPACT RADIATORS

Type 11- Single panel - HEAT OUTPUT (watts)							
Height	300	400	500	600	700	900	
Length (mm)	400	-	343	422	496	565	688
	500	324	429	528	620	707	861
	600	389	515	634	744	848	1033
	700	-	601	739	868	990	1205
	800	518	687	845	992	1131	1377
	900	-	-	951	1116	1272	1549
	1000	648	859	1056	1240	1414	1721
	1100	-	944	1162	1364	1555	1893
	1200	777	1030	1267	1488	1696	2065
	1400	907	1202	1479	1736	1979	2410
	1600	1036	1374	1690	1984	2262	2754
	1800	1166	1546	1901	2233	2545	-
	2000	1295	1717	2112	2481	2827	-
	2200	-	-	2324	2729	-	-
	2400	-	-	2535	2977	-	-
	2600	-	-	2746	-	-	-
	2800	-	-	-	-	-	-
3000	-	-	-	-	-	-	
Weight (kg/m)	9.31	12.78	16.24	19.70	22.90	29.3	
Volume (lt/m)	1.89	2.34	2.80	3.25	3.77	4.80	

Type 22- Double panel - HEAT OUTPUT (watts)							
Height	300	400	500	600	700	900	
Length (mm)	400	-	635	762	844	1001	1225
	500	625	793	952	1105	1252	1531
	600	750	952	1143	1325	1502	1837
	700	-	1110	1333	1546	1752	2143
	800	1001	1269	1524	1767	2002	2449
	900	-	1428	1714	1988	2253	2755
	1000	1251	1586	1905	2209	2503	3061
	1100	-	1745	2095	2430	2753	3367
	1200	1501	1904	2286	2651	3004	3674
	1400	1751	2221	2666	3093	3504	4286
	1600	2001	2538	3047	3535	4005	4898
	1800	2251	2855	3428	3976	4505	5510
	2000	2501	3173	3809	4418	5006	6123
	2200	2751	3490	4190	4860	5507	6735
	2400	3002	3807	4571	5302	6007	7347
	2600	3252	4125	4952	5744	6508	7959
	2800	3502	4442	5333	6186	7008	8572
3000	3752	4759	5714	6627	7509	9184	
Weight (kg/m)	16.80	22.87	28.93	35.00	40.53	51.60	
Volume (lt/m)	3.7	4.67	5.63	6.6	7.63	9.70	

Type 33- Triple panel - HEAT OUTPUT (watts)							
Height	300	400	500	600	700	900	
Length (mm)	400	-	-	1046	1216	-	1712
	500	857	1088	1308	1520	1731	2140
	600	1028	1305	1569	1825	2077	2569
	700	-	-	1831	2129	2423	2997
	800	1371	1740	2092	2433	2770	3425
	900	-	1958	2354	2737	3116	3853
	1000	1714	2175	2616	3041	3462	4281
	1100	-	2393	2877	3345	3808	4709
	1200	2057	2610	3139	3649	4154	5137
	1400	2400	3045	3662	4257	4847	5993
	1600	2743	3481	4185	4865	5539	6850
	1800	3085	3916	4708	5474	6232	-
	2000	3428	4351	5231	6082	6924	-
	2200	3771	4786	5754	-	-	-
	2400	4114	-	6277	-	-	-
	2600	4457	-	-	-	-	-
	2800	4799	-	-	-	-	-
3000	5142	-	-	-	-	-	
Weight (kg/m)	25.20	34.30	43.40	52.50	60.77	77.30	
Volume (lt/m)	5.40	6.87	8.33	9.8	11.37	14.50	

All HENRAD outputs are based on EN 442 Delta T, 60 deg. C.

# TECHNICAL DATA EVEREST PLAN/LINE RADIATORS

Type 11 - Single panel - HEAT OUTPUT (watts)							
Height	300	400	500	600	700	900	
Length (mm)	400	-	-	391	459	-	638
	500	-	396	489	574	655	797
	600	-	475	587	689	786	957
	700	-	555	684	804	917	1116
	800	-	634	782	919	1048	1276
	900	-	713	880	1034	1179	1435
	1000	-	792	978	1149	1310	1595
	1100	-	-	-	1264	-	-
	1200	-	951	1173	1378	-	1913
	1400	-	1109	1369	1608	-	2232
	1600	-	1268	1564	1838	-	2551
	1800	-	1426	1760	2068	-	2870
	2000	-	1584	1955	2297	-	-
	2200	-	-	-	-	-	-
	2400	-	-	-	-	-	-
	2600	-	-	-	-	-	-
	2800	-	-	-	-	-	-
3000	-	-	-	-	-	-	
Weight Everest (kg/m)	-	16.13	20.39	24.65	28.91	37.43	
Weight Everest line (kg/m)	-	16.2	20.23	24.27	28.30	35.90	
Volume (ft/m)		2.34	2.80	3.25	3.77	4.80	

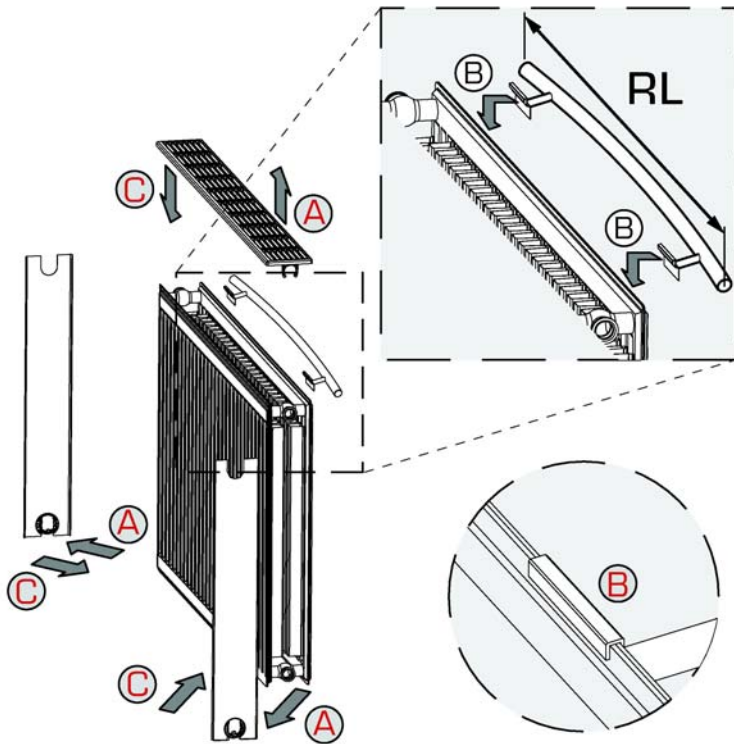
Type 22 - Double panel - HEAT OUTPUT (watts)							
Height	300	400	500	600	700	900	
Length (mm)	400	-	-	717	832	-	1153
	500	-	746	896	1039	1178	1441
	600	-	896	1075	1247	1414	1729
	700	-	1045	1255	1455	1649	2017
	800	941	1194	1434	1663	1885	2305
	900	1059	1344	1613	1871	-	2593
	1000	1177	1493	1792	2079	2356	2881
	1100	-	-	1972	2287	-	3170
	1200	1412	1792	2151	2495	-	3458
	1400	1647	2090	2509	2910	-	4034
	1600	1883	2389	2868	3326	-	4610
	1800	2118	2687	3226	3742	-	5187
	2000	2353	2986	3585	4158	-	-
	2200	2588	3284	3943	4573	-	-
	2400	2824	3583	4302	4989	-	-
	2600	3059	3882	4660	5405	-	-
	2800	3294	4180	5019	5821	-	-
3000	3530	4479	5377	6236	-	-	
Weight Everest (kg/m)	19.60	26.40	33.2	40.00	46.80	60.40	
Weight Everest line (kg/m)	19.30	25.67	32.03	38.40	44.70	57.30	
Volume (ft/m)	3.70	4.67	5.63	6.60	7.63	9.70	

Type 33 - Triple panel - HEAT OUTPUT (watts)							
Height	300	400	500	600	700	900	
Length (mm)	400	-	-	1029	1192	-	1648
	500	-	-	1286	1489	1684	2061
	600	-	-	1543	1787	2021	2473
	700	-	-	1800	2085	2358	2885
	800	1368	1721	2057	2383	2695	3297
	900	1539	1936	2315	2681	3032	3709
	1000	1710	2151	2572	2979	3369	4121
	1100	-	-	2829	3277	-	4533
	1200	2052	2581	3086	3575	-	4945
	1400	2394	3011	3600	4170	-	5770
	1600	2736	3441	4115	4766	-	-
	1800	3078	3871	4629	5362	-	-
	2000	3420	4302	5143	5958	-	-
	2200	3762	4732	-	6553	-	-
	2400	4104	5162	-	7149	-	-
	2600	4445	5592	-	-	-	-
	2800	4787	6022	-	-	-	-
3000	5129	6452	-	-	-	-	
Weight Everest (kg/m)	28.00	38.13	48.27	58.4	68.53	88.80	
Weight Everest line (kg/m)	27.60	36.63	45.67	54.70	63.60	81.40	
Volume (ft/m)	5.40	6.87	8.33	9.80	11.37	14.50	

All HENRAD outputs are based on EN 442 Delta T, 60 deg. C.

# HENRAD

## HENRAD RADIATOR ACCESSORIES



Length (mm)	Art.Nr
400	T1149
500	T1150
600	T1151
800	T1152
1000	T1153



**HENRAD**

The Radiator