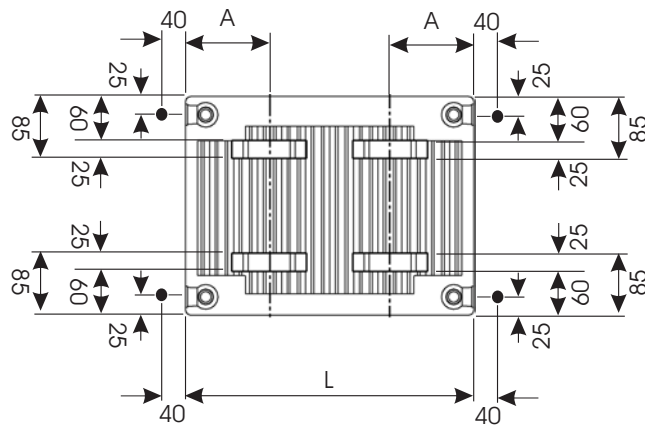


HENRAD- Installation dimensions

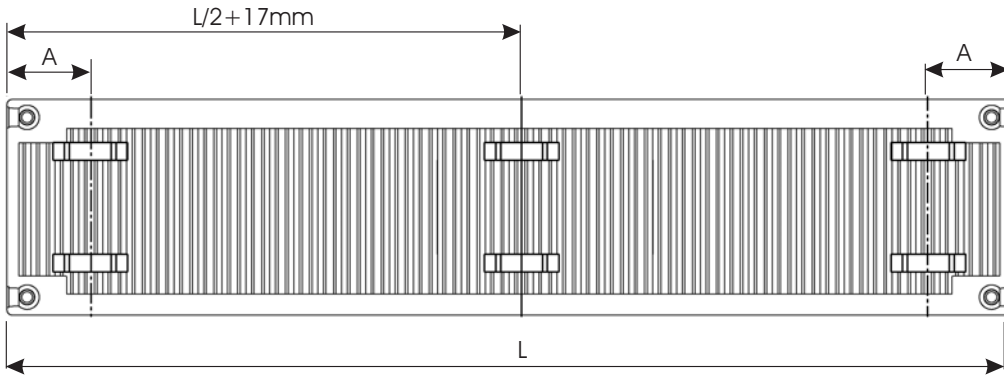
TYPE 11 Single panel

Compact, Everest plan, Everest line

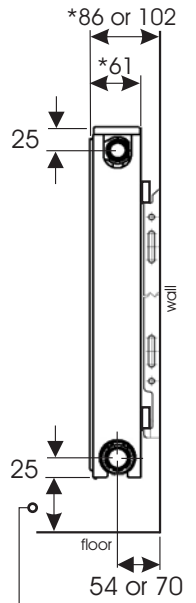
L	A
400	117
500-1100	150
1200-1600	283
1800-3000	283



* Add +2mm for Everest and Everest line



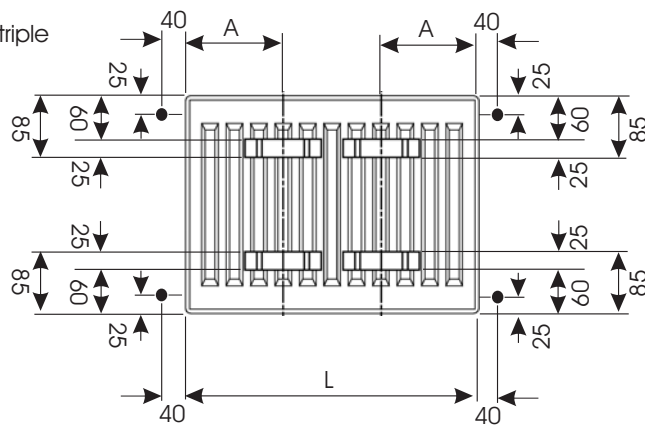
100 to 125mm Distance from bottom of panel to finished floor



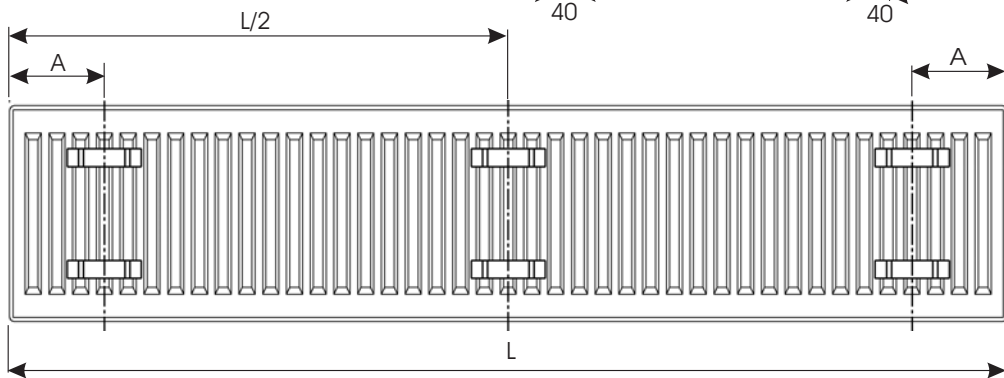
TYPE 22 TYPE 33 Double and triple

Compact, Everest plan, Everest line

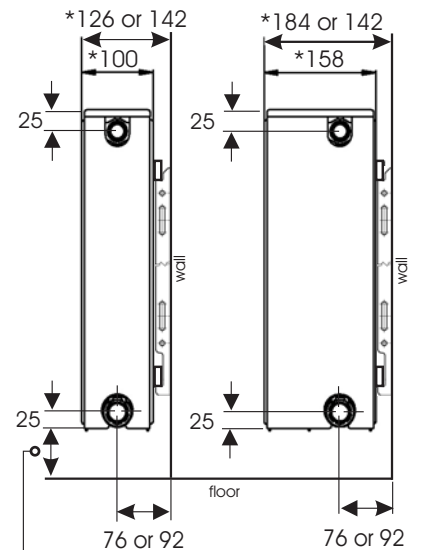
L	A
400	133
500-1100	133
1200-1600	267
1800-3000	267



* Add +2mm for Everest and Everest line



100 to 125mm Distance from bottom of panel to finished floor



Correct flow and return

